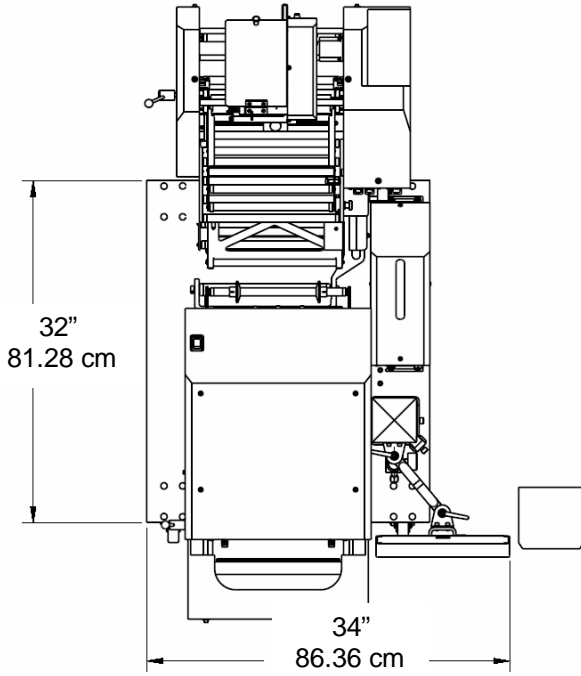
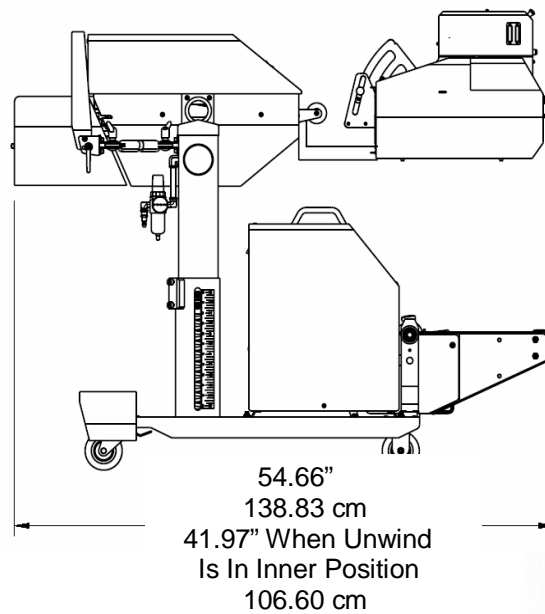
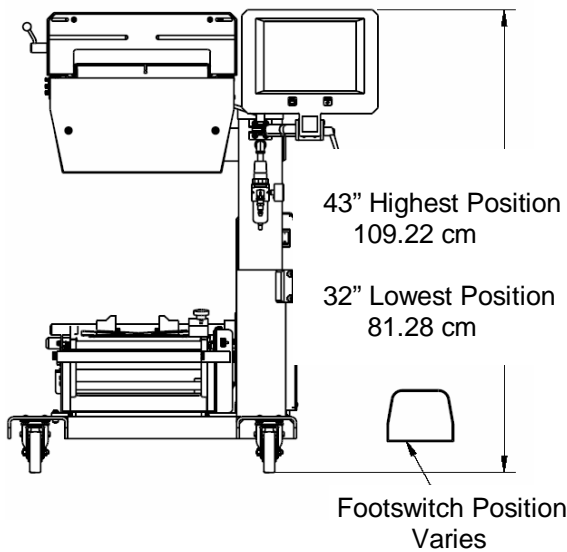


Footprint Drawing

Powered Unwind View



AB 180 with PI 412c Imprinter



m a c h i n e s m a t e r i a l s s e r v i c e

s y s t e m s a d v a n t a g e