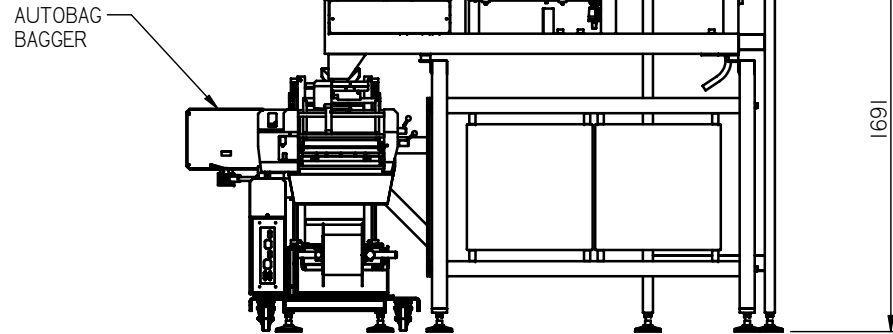
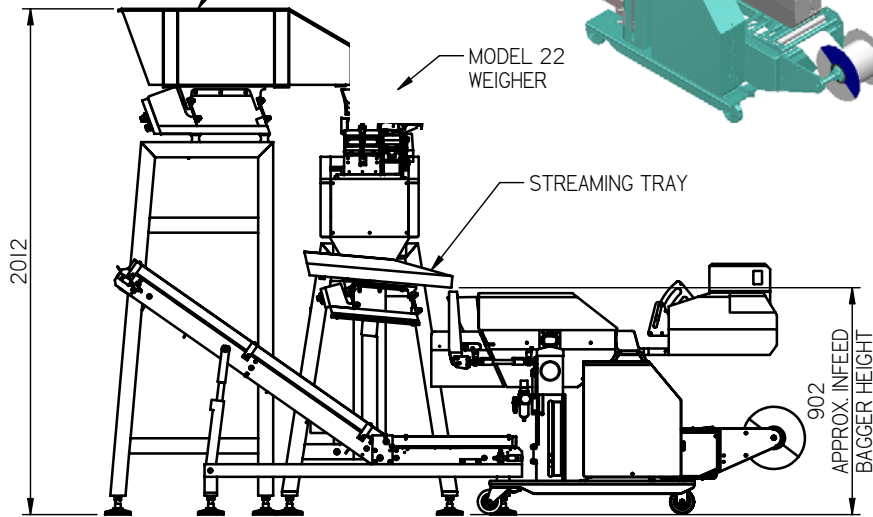
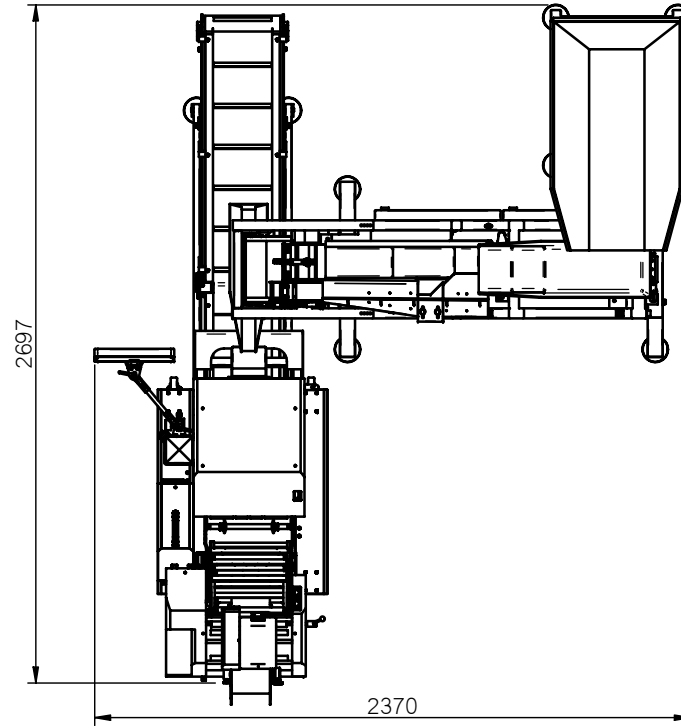
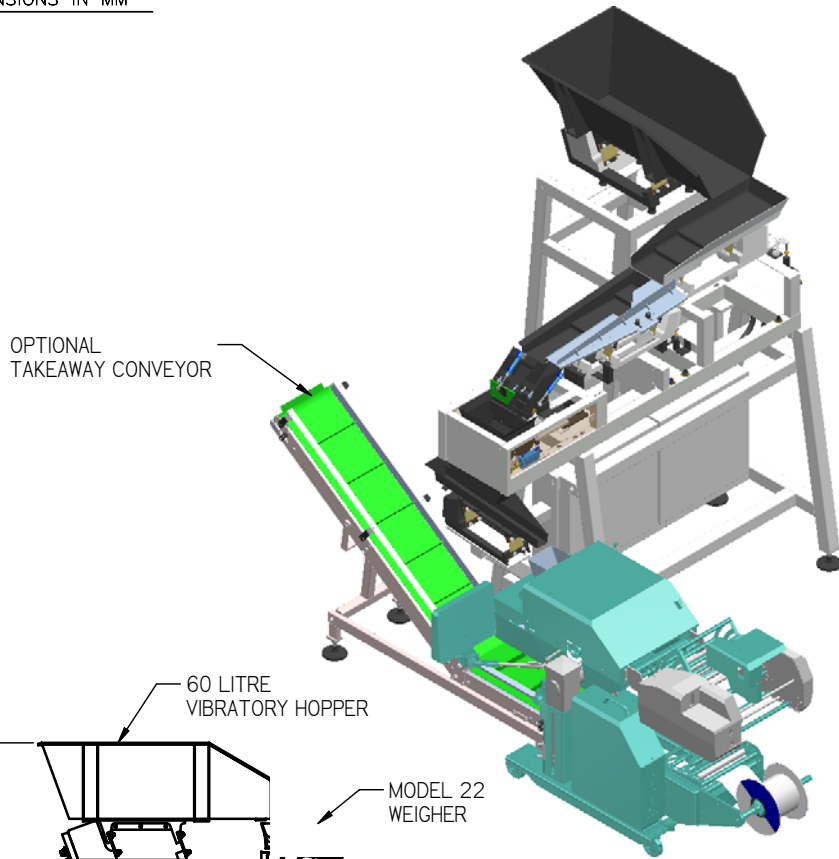


ALL DIMENSIONS IN MM



DRG No. CCL17085A

No.	DESCRIPTION	CHK'D	APP'D	DATE
REVISIONS				

**COMCOUNT** LTD.

TITLE  
60 LTR HOPPER, MODEL 22, AUTOBAG BAGGER, STREAMING TRAY

DRAWN RJDC	CHECKED RJDC	C.A.D. REFERENCE	DATE 02/03/2011
DRAWING No. CCL17085A			SCALE A3 1:20